



SINGLE/DOUBLE ACTING PISTON CYLINDER

WWW.JNHVIC.COM

HCL

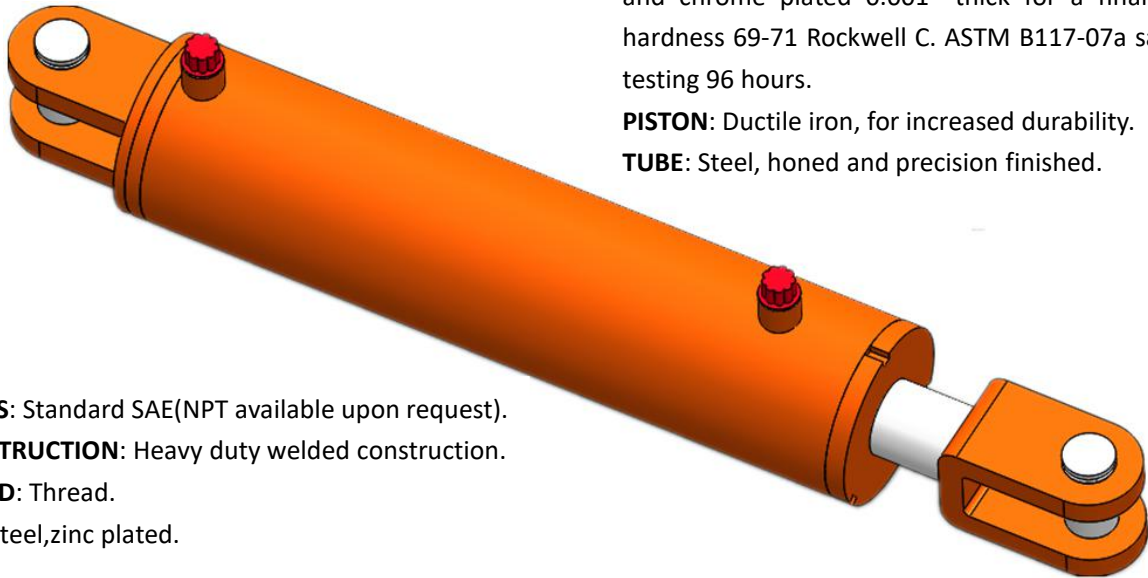
3000PSI WP

DOUBLE ACTING CYLINDER

ROD: Steel, induction hardened to 45-50 Rockwell C and chrome plated 0.001" thick for a final surface hardness 69-71 Rockwell C. ASTM B117-07a salt spray testing 96 hours.

PISTON: Ductile iron, for increased durability.

TUBE: Steel, honed and precision finished.

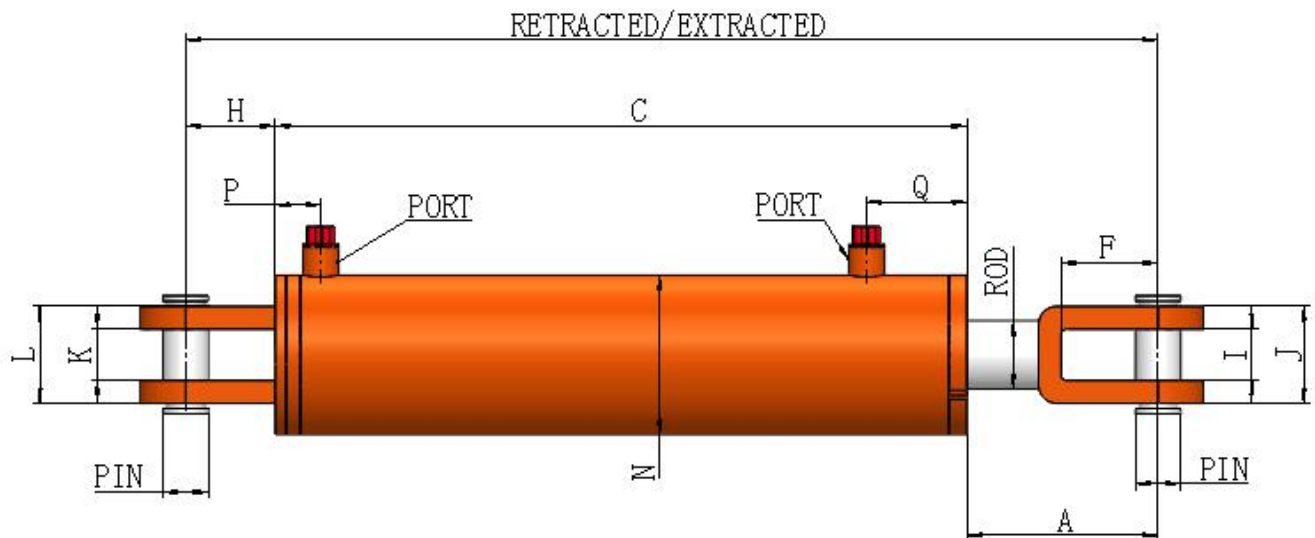


PORTS: Standard SAE(NPT available upon request).

CONSTRUCTION: Heavy duty welded construction.

GLAND: Thread.

PIN: Steel,zinc plated.



HCIC Part No	Bore	A	F	H	I,K	J	L	N	P	Q
HCL20-	2.00	3.20/5.20 for HCL 2008	2.125	2.600	1.125	2.125	2.125	2.375	0.875	2.000
HCL25-	2.50	3.0/5.0 for HCL 2508	2.125	2.600	1.125	2.125	2.125	2.875	0.875	1.750
HCL30-	3.00	3.10/5.10 for HCL 3008	2.125	1.972	1.125	2.125	2.125	3.500	1.000	2.200
HCL35-	3.50	3.25/5.25 for HCL 3508	2.125	1.972[2.125]	1.125	2.385	2.385	4.000	0.875	2.00
HCL40-	4.00	3.0/5.0 for HCL 4008	2.000	1.843[2.00]	1.125	2.385	2.385	4.500	0.875	2.250
HCL50-	5.00	3.8	2.000	1.913[2.00]	1.500	2.750	2.750	5.500	1.063	2.500

*All dimensions are in inches

HCL

3000PSI WP

PART No.	STROKE	ROD DIAMETER	DIMENSIONS		C	MAX FORCE LBS	PORT	PIN	WEIGHT (LBS)	
			RETRACTED	EXTRACTED						
HCL 2" BORE 3000PSI WP	HCL2004-ORB	4"	1 1/4"	14 1/4"	18 1/4"	8.5"	9425	SAE#6 (3/8" NPT Available)	1"	14
	HCL2006-ORB	6"		16 1/4"	22 1/4"	10.5"				15
	HCL2008-ORB	8"		20 1/4"	28 1/4"	12.5"				17
	HCL2010-ORB	10"		20 1/4"	30 1/4"	14.5"				17
	HCL2012-ORB	12"		22 1/4"	34 1/4"	16.5"				19
	HCL2014-ORB	14"		24 1/4"	38 1/4"	18.5"				21
	HCL2016-ORB	16"		26 1/4"	42 1/4"	20.5"				23
	HCL2018-ORB	18"		28 1/4"	46 1/4"	22.5"				24
	HCL2020-ORB	20"		30 1/4"	50 1/4"	24.5"				26
	HCL2024-ORB	24"		34 1/4"	58 1/4"	28.5"				28
	HCL2028-ORB	28"		38 1/4"	66 1/4"	32.5"				34
	HCL2030-ORB	30"		40 1/4"	70 1/4"	34.5"				35
	HCL2032-ORB	32"		42 1/4"	74 1/4"	36.5"				36
	HCL2034-ORB	34"		44 1/4"	78 1/4"	38.5"				39
HCL2036-ORB	36"	46 1/4"	82 1/4"	40.5"	40					
HCL 2.5" BORE 3000PSI WP	HCL2504-ORB	4"	1 1/2"	14 1/4"	18 1/4"	8.56"	14726	SAE#8 (1/2" NPT Available)	1"	17
	HCL2506-ORB	6"		16 1/4"	22 1/4"	10.56"				20
	HCL2508-ORB	8"		20 1/4"	28 1/4"	12.56"				22
	HCL2510-ORB	10"		20 1/4"	30 1/4"	14.56"				23
	HCL2512-ORB	12"		22 1/4"	34 1/4"	16.56"				25
	HCL2514-ORB	14"		24 1/4"	38 1/4"	18.56"				28
	HCL2516-ORB	16"		26 1/4"	42 1/4"	20.56"				30
	HCL2518-ORB	18"		28 1/4"	46 1/4"	22.56"				31
	HCL2520-ORB	20"		30 1/4"	50 1/4"	24.56"				34
	HCL2524-ORB	24"		34 1/4"	58 1/4"	28.56"				38
	HCL2528-ORB	28"		38 1/4"	66 1/4"	32.56"				42
	HCL2530-ORB	30"		40 1/4"	70 1/4"	34.56"				45
	HCL2532-ORB	32"		42 1/4"	74 1/4"	36.56"				46
	HCL2534-ORB	34"		44 1/4"	78 1/4"	38.56"				50
HCL2536-ORB	36"	46 1/4"	82 1/4"	40.56"	51					
HCL 3" BORE 3000PSI WP	HCL3004-ORB	4"	1 1/2"	14 1/4"	18 1/4"	9.18"	21205	SAE#8 (1/2" NPT Available)	1"	23
	HCL3006-ORB	6"		16 1/4"	22 1/4"	11.18"				26
	HCL3008-ORB	8"		20 1/4"	28 1/4"	13.18"				28
	HCL3010-ORB	10"		20 1/4"	30 1/4"	15.18"				29
	HCL3012-ORB	12"		22 1/4"	34 1/4"	17.18"				30
	HCL3014-ORB	14"		24 1/4"	38 1/4"	19.18"				32
	HCL3016-ORB	16"		26 1/4"	42 1/4"	21.18"				36
	HCL3018-ORB	18"		28 1/4"	46 1/4"	23.18"				39
	HCL3020-ORB	20"		30 1/4"	50 1/4"	25.18"				42
	HCL3024-ORB	24"		34 1/4"	58 1/4"	29.18"				46
	HCL3028-ORB	28"		38 1/4"	66 1/4"	33.18"				51
	HCL3030-ORB	30"		40 1/4"	70 1/4"	35.18"				54
	HCL3032-ORB	32"		42 1/4"	74 1/4"	37.18"				56
	HCL3034-ORB	34"		44 1/4"	78 1/4"	39.18"				59
HCL3036-ORB	36"	46 1/4"	82 1/4"	41.18"	61					

HCL

3000PSI WP

PART No.	STROKE	ROD DIAMETER	DIMENSIONS		C	MAX FORCE LBS	PORT	PIN	WEIGHT (LBS)	
			RETRACTED	EXTRACTED						
HCL 3.5" BORE 3000PSI WP	HCL3504-ORB	4"	1 3/4"	14 1/4"	18 1/4"	8.92"	28863	SAE#8 (1/2" NPT Available)	1" 1 1/2" Available	26
	HCL3506-ORB	6"		16 1/4"	22 1/4"	10.92"				29
	HCL3508-ORB	8"		20 1/4"	28 1/4"	12.92"				33
	HCL3510-ORB	10"		20 1/4"	30 1/4"	14.92"				36
	HCL3512-ORB	12"		22 1/4"	34 1/4"	16.92"				39
	HCL3514-ORB	14"		24 1/4"	38 1/4"	18.92"				41
	HCL3516-ORB	16"		26 1/4"	42 1/4"	20.92"				45
	HCL3518-ORB	18"		28 1/4"	46 1/4"	22.92"				48
	HCL3520-ORB	20"		30 1/4"	50 1/4"	24.92"				52
	HCL3524-ORB	24"		34 1/4"	58 1/4"	28.92"				55
	HCL3528-ORB	28"		38 1/4"	66 1/4"	32.92"				62
	HCL3530-ORB	30"		40 1/4"	70 1/4"	34.92"				66
	HCL3532-ORB	32"		42 1/4"	74 1/4"	36.92"				70
	HCL3534-ORB	34"		44 1/4"	78 1/4"	38.92"				73
	HCL3536-ORB	36"		46 1/4"	82 1/4"	40.92"				77
HCL 4" BORE 3000PSI WP	HCL4004-ORB	4"	2"	14 1/4"	18 1/4"	9.27"	37700	SAE#8 (1/2" NPT Available)	1" 1 1/2" Available	31
	HCL4006-ORB	6"		16 1/4"	22 1/4"	11.27"				36
	HCL4008-ORB	8"		20 1/4"	28 1/4"	13.27"				41
	HCL4010-ORB	10"		20 1/4"	30 1/4"	15.27"				46
	HCL4012-ORB	12"		22 1/4"	34 1/4"	17.27"				47
	HCL4014-ORB	14"		24 1/4"	38 1/4"	19.27"				50
	HCL4016-ORB	16"		26 1/4"	42 1/4"	21.27"				53
	HCL4018-ORB	18"		28 1/4"	46 1/4"	23.27"				56
	HCL4020-ORB	20"		30 1/4"	50 1/4"	25.27"				61
	HCL4024-ORB	24"		34 1/4"	58 1/4"	29.27"				66
	HCL4028-ORB	28"		38 1/4"	66 1/4"	33.27"				77
	HCL4030-ORB	30"		40 1/4"	70 1/4"	35.27"				81
	HCL4032-ORB	32"		42 1/4"	74 1/4"	37.27"				87
	HCL4034-ORB	34"		44 1/4"	78 1/4"	39.27"				90
	HCL4036-ORB	36"		46 1/4"	82 1/4"	41.27"				94
HCL 5" BORE 3000PSI WP	HCL5004-ORB	4"	2 1/2"	16 1/4"	20 1/4"	10.5"	58905	SAE#8 SAE#12 Available (1/2" NPT Available)	1" 1 1/2" Available	63
	HCL5006-ORB	6"		18 1/4"	24 1/4"	12.5"				67
	HCL5008-ORB	8"		20 1/4"	28 1/4"	14.5"				71
	HCL5010-ORB	10"		22 1/4"	32 1/4"	16.5"				76
	HCL5012-ORB	12"		24 1/4"	36 1/4"	18.5"				80
	HCL5014-ORB	14"		26 1/4"	40 1/4"	20.5"				84
	HCL5016-ORB	16"		28 1/4"	44 1/4"	22.5"				89
	HCL5018-ORB	18"		30 1/4"	48 1/4"	24.5"				93
	HCL5020-ORB	20"		32 1/4"	52 1/4"	26.5"				98
	HCL5024-ORB	24"		36 1/4"	60 1/4"	30.5"				106
	HCL5028-ORB	28"		40 1/4"	68 1/4"	34.5"				115
	HCL5030-ORB	30"		42 1/4"	72 1/4"	36.5"				120
	HCL5032-ORB	32"		44 1/4"	76 1/4"	38.5"				124
	HCL5034-ORB	34"		46 1/4"	80 1/4"	40.5"				129
	HCL5036-ORB	36"		48 1/4"	84 1/4"	42.5"				133

HBU

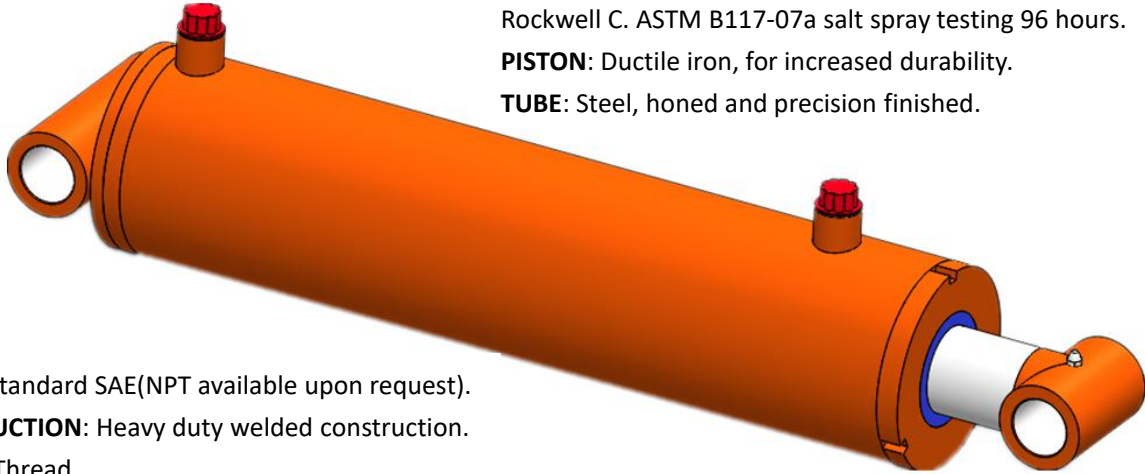
3000PSI WP

DOUBLE ACTING CYLINDER

ROD: Steel, induction hardened to 45-50 Rockwell C and chrome plated 0.001" thick for a final surface hardness 69-71 Rockwell C. ASTM B117-07a salt spray testing 96 hours.

PISTON: Ductile iron, for increased durability.

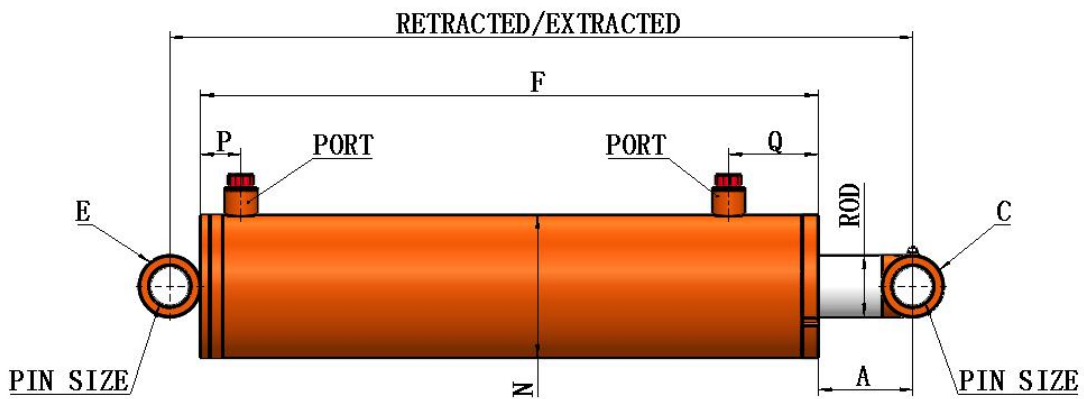
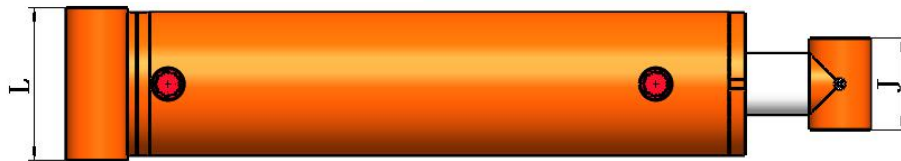
TUBE: Steel, honed and precision finished.



PORTS: Standard SAE(NPT available upon request).

CONSTRUCTION: Heavy duty welded construction.

GLAND: Thread.



*All dimensions are in inches

HCIC Part No	Bore	ROD	A	C,E	PIN SIZE	J	L	N	P	Q
HBU15-	1.50	1.00	2.70	1.250	0.750	2.00	2.25	1.875	0.875	2.200
HBU20-	2.00	1.25	2.80	1.500	1.000	2.25	2.75	2.375	0.875	2.000
HBU25-	2.50	1.50	2.65	1.500	1.000	2.25	3.25	2.875	0.875	2.000
HBU30-	3.00	1.50	2.20	1.500	1.000	2.25	3.75	3.500	1.000	2.200
HBU35-	3.50	1.75	4.10	2.000	1.250	2.25	4.25	4.000	0.875	2.00
HBU40-	4.00	2.00	3.60	2.250	1.500	2.50	4.75	4.500	1.000	2.250
HBU50-	5.00	2.50	4.50	2.500	1.750	3.25	5.75	5.500	1.000	2.500

HBU

3000PSI WP

PART No.	STROKE	ROD DIAMETER	DIMENSIONS		F	MAX FORCE LBS	PORT	PIN	WEIGHT (LBS)	
			RETRACTED	EXTRACTED						
HBU 1.5" BORE 3000PSI WP	HBU1504-ORB	4"	1"	12"	16"	8.5"	5300	SAE#4 (1/4" NPT Available)	3/4"	9
	HBU1506-ORB	6"		14"	20"	10.5"				10
	HBU1508-ORB	8"		16"	24"	12.5"				11
	HBU1510-ORB	10"		18"	28"	14.5"				13
	HBU1512-ORB	12"		20"	32"	16.5"				14
	HBU1514-ORB	14"		22"	36"	18.5"				15
	HBU1516-ORB	16"		24"	40"	20.5"				17

HBU 2" BORE 3000PSI WP	HBU2004-ORB	4"	1 1/4"	12"	16"	8.5"	8425	SAE#6 (3/8" NPT Available)	1"	13
	HBU2006-ORB	6"		14"	20"	10.5"				14
	HBU2008-ORB	8"		16"	24"	12.5"				15
	HBU2010-ORB	10"		18"	28"	14.5"				15
	HBU2012-ORB	12"		20"	32"	16.5"				16
	HBU2014-ORB	14"		22"	36"	18.5"				17
	HBU2016-ORB	16"		24"	40"	20.5"				22
	HBU2018-ORB	18"		26"	44"	22.5"				22
	HBU1020-ORB	20"		28"	48"	24.5"				23
	HBU2024-ORB	24"		32"	56"	28.5"				28
	HBU2028-ORB	28"		36"	64"	32.5"				31
	HBU2030-ORB	30"		38"	68"	34.5"				34
	HBU2032-ORB	32"		40"	72"	36.5"				36
	HBU2036-ORB	36"		44"	80"	40.5"				39
	HBU2040-ORB	40"		48"	88"	44.5"				40
HBU2048-ORB	48"	56"	104"	52.5"	50					

HBU 2.5" BORE 3000PSI WP	HBU2504-ORB	4"	1 1/2"	12"	16"	8.56"	14726	SAE#8 (1/2" NPT Available)	1"	17
	HBU2506-ORB	6"		14"	20"	10.56"				18
	HBU2508-ORB	8"		16"	24"	12.56"				19
	HBU2510-ORB	10"		18"	28"	14.56"				22
	HBU2512-ORB	12"		20"	32"	16.56"				24
	HBU2514-ORB	14"		22"	36"	18.56"				26
	HBU2516-ORB	16"		24"	40"	20.56"				30
	HBU2518-ORB	18"		26"	44"	22.56"				31
	HBU2520-ORB	20"		28"	48"	24.56"				32
	HBU2524-ORB	24"		32"	56"	28.56"				37
	HBU2528-ORB	28"		36"	64"	32.56"				42
	HBU2530-ORB	30"		38"	68"	34.56"				44
	HBU2532-ORB	32"		40"	72"	36.56"				46
	HBU2536-ORB	36"		44"	80"	40.56"				50
	HBU2540-ORB	40"		48"	88"	44.56"				55
HBU2548-ORB	48"	56"	104"	52.56"	62					

HBU

3000PSI WP

PART No.	STROKE	ROD DIAMETER	DIMENSIONS		C	MAX FORCE LBS	PORT	PIN	WEIGHT (LBS)	
			RETRACTED	EXTRACTED						
HBU 3" BORE 3000PSI WP	HBU3004-ORB	4"	1 1/2"	12"	16"	9.04"	21205	SAE#8 (1/2" NPT Available)	1"	24
	HBU3006-ORB	6"		14"	20"	11.04"				25
	HBU3008-ORB	8"		16"	24"	13.04"				26
	HBU3010-ORB	10"		18"	28"	15.04"				28
	HBU3012-ORB	12"		20"	32"	17.04"				29
	HBU3014-ORB	14"		22"	36"	19.04"				31
	HBU3016-ORB	16"		24"	40"	21.04"				32
	HBU3018-ORB	18"		26"	44"	23.04"				36
	HBU3020-ORB	20"		28"	48"	25.04"				39
	HBU3024-ORB	24"		32"	56"	29.04"				42
	HBU3028-ORB	28"		36"	64"	33.04"				48
	HBU3030-ORB	30"		38"	68"	35.04"				52
	HBU3032-ORB	32"		40"	72"	37.04"				56
	HBU3036-ORB	36"		44"	80"	39.04"				60
	HBU3040-ORB	40"		48"	88"	41.04"				65
HBU3048-ORB	48"	56"	104"	53.04"	71					
U 3.5" BORE 3000PSI WP	HBU3504-ORB	4"	1 3/4"	14"	18"	8.92"	28863	SAE#8 (1/2" NPT Available)	1 1/4"	28
	HBU3506-ORB	6"		16"	22"	10.92"				31
	HBU3508-ORB	8"		18"	26"	12.92"				33
	HBU3510-ORB	10"		20"	30"	14.92"				36
	HBU3512-ORB	12"		22"	34"	16.92"				39
	HBU3514-ORB	14"		24"	38"	18.92"				41
	HBU3516-ORB	16"		26"	42"	20.92"				45
	HBU3518-ORB	18"		28"	46"	22.92"				48
	HBU3520-ORB	20"		30"	50"	24.92"				51
	HBU3524-ORB	24"		34"	58"	28.92"				56
	HBU3528-ORB	28"		38"	66"	32.92"				60
	HBU3530-ORB	30"		40"	70"	34.92"				64
	HBU3532-ORB	32"		42"	74"	36.92"				68
	HBU3536-ORB	36"		46"	82"	40.92"				77
	HBU3540-ORB	40"		50"	90"	44.92"				81
HBU3548-ORB	48"	58"	106"	52.92"	85					

HBU

3000PSI WP

PART No.	STROKE	ROD DIAMETER	DIMENSIONS		C	MAX FORCE LBS	PORT	PIN	WEIGHT (LBS)	
			RETRACTED	EXTRACTED						
HBU 4" BORE 3000PSI WP	HBU4004-ORB	4"	2"	14"	18"	9.27"	37700	SAE#8 (1/2" NPT Available)	1 1/2"	35
	HBU4006-ORB	6"		16"	22"	11.27"				38
	HBU4008-ORB	8"		18"	26"	13.27"				41
	HBU4010-ORB	10"		20"	30"	15.27"				45
	HBU4012-ORB	12"		22"	34"	17.27"				48
	HBU4014-ORB	14"		24"	38"	19.27"				52
	HBU4016-ORB	16"		26"	42"	21.27"				55
	HBU4018-ORB	18"		28"	46"	23.27"				59
	HBU4020-ORB	20"		30"	50"	25.27"				63
	HBU4024-ORB	24"		34"	58"	29.27"				68
	HBU4028-ORB	28"		38"	66"	33.27"				77
	HBU4030-ORB	30"		40"	70"	35.27"				81
	HBU4032-ORB	32"		42"	74"	37.27"				84
	HBU4036-ORB	36"		46"	82"	41.27"				92
	HBU4040-ORB	40"		50"	90"	45.27"				99
HBU4048-ORB	48"	58"	106"	53.27"	114					
HBU 5" BORE 3000PSI WP	HBU5004-ORB	4"	2 1/2"	16"	20"	10.5"	58905	SAE#12 Available (1/2" NPT Available)	1 3/4"	63
	HBU5006-ORB	6"		18"	24"	12.5"				67
	HBU5008-ORB	8"		20"	28"	14.5"				71
	HBU5010-ORB	10"		22"	32"	16.5"				76
	HBU5012-ORB	12"		24"	36"	18.5"				80
	HBU5014-ORB	14"		26"	40"	20.5"				81
	HBU5016-ORB	16"		28"	44"	22.5"				89
	HBU5018-ORB	18"		30"	48"	24.5"				93
	HBU5020-ORB	20"		32"	52"	26.5"				98
	HBU5024-ORB	24"		36"	60"	30.5"				106
	HBU5028-ORB	28"		40"	68"	34.5"				115
	HBU5030-ORB	30"		42"	72"	36.5"				120
	HBU5032-ORB	32"		44"	76"	38.5"				124
	HBU5036-ORB	36"		48"	84"	42.5"				133
	HBU5040-ORB	40"		52"	92"	46.5"				142
HBU5048-ORB	48"	60"	108"	54.5"	159					

HTR

2500PSI WP

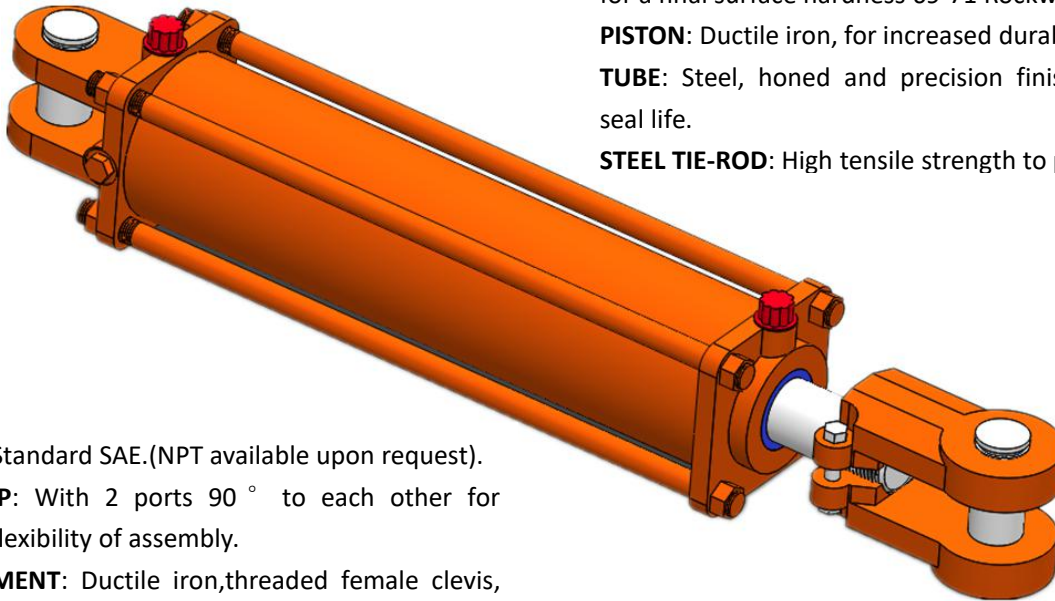
DOUBLE ACTING CYLINDER

ROD: Steel, superior and hard, chrome plated 0.001" thick for a final surface hardness 69-71 Rockwell C.

PISTON: Ductile iron, for increased durability.

TUBE: Steel, honed and precision finished for extended seal life.

STEEL TIE-ROD: High tensile strength to prevent stretching.



PORTS: Standard SAE.(NPT available upon request).

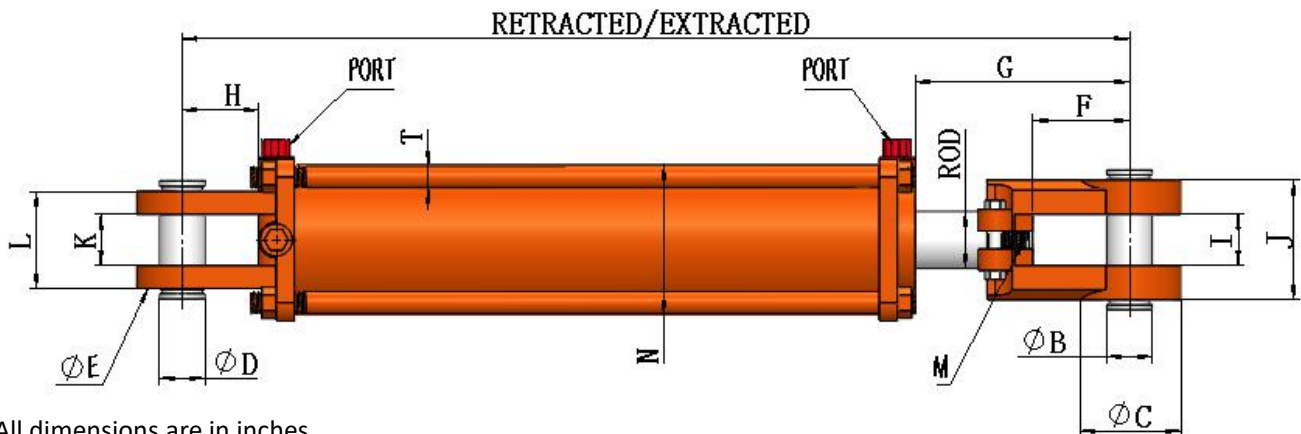
END CAP: With 2 ports 90 ° to each other for greater flexibility of assembly.

ATTACHMENT: Ductile iron, threaded female clevis, adjustable with locking bolt.

PIN: Steel, zinc plated.

SEALS: Top quality, sourced in North America seals .

PAINT: High quality paint for corrosion resistance(standard color: black) .



*All dimensions are in inches

HCIC Part No	Bore	C	E	F	H	I,K	J	L	M	N	T
HTR20-	2.00	2.000	2.000	2.125	2.06	1.125	2.500	2.375	1-1/8-12-UNF	2.375	M10
HTR25-	2.50	2.000	2.000	2.125	2.06	1.125	2.500	2.500	1-1/8-12-UNF	2.875	M10
HTR30-	3.00	2.250	2.000	2.125	2.06	1.125	2.625	2.500	1-1/4-12-UNF	3.375	M12
HTR35-	3.50	2.250	2.250	2.125	2.06	1.125	2.625	2.500	1-1/4-12-UNF	3.875	M16
HTR40-	4.00	2.250	2.250	2.125	2.06	1.125	2.625	2.625	1-1/4-12-UNF	4.375	M16
HTR50-	5.00	2.500	3.000	2.125	2.250	1.250	2.875	3.500	1-1/2-12-UNF	5.500	M20

HTR

2500PSI WP

PART No.	STROKE	ROD DIAMETER	DIMENSIONS		MAX FORCE LBS	G	PORT	PIN D,B	WEIGHT (LBS)	
			RETRACTED	EXTRACTED						
HTR 2" BORE 2500PSI WP	HTR2504-ORB-P	4"	1 1/8"	14 1/4"	18 1/4"	7854	3.375"	SAE#6 (3/8" NPT Available)	1"	14
	HTR2506-ORB-P	6"		16 1/4"	22 1/4"					16
	HTR2508-ORB-P	8"		18 1/4"	26 1/4"					17
	HTR2508-ASAE-ORB-P	8"		20 1/4"	28 1/4"		18			
	HTR2510-ORB-P	10"		20 1/4"	30 1/4"		19			
	HTR2512-ORB-P	12"		22 1/4"	34 1/4"		20			
	HTR2514-ORB-P	14"		24 1/4"	38 1/4"		22			
	HTR2516-ORB-P	16"		26 1/4"	42 1/4"		24			
	HTR2518-ORB-P	18"		28 1/4"	46 1/4"		26			
	HTR2520-ORB-P	20"		30 1/4"	50 1/4"		27			
	HTR2524-ORB-P	24"		34 1/4"	58 1/4"		30			
	HTR2530-ORB-P	30"		40 1/4"	70 1/4"		35			
	HTR2536-ORB-P	36"		46 1/4"	82 1/4"		40			
	HTR2540-ORB-P	40"		50 1/4"	90 1/4"					
	HTR2548-ORB-P	48"		58 1/4"	106 1/4"					

HTR 2.5" BORE 2500PSI WP	HTR2004-ORB-P	4"	1 1/8"	14 1/4"	18 1/4"	12272	3.375"	SAE#6 (3/8" NPT Available)	1"	16
	HTR2006-ORB-P	6"		16 1/4"	22 1/4"					18
	HTR2008-ORB-P	8"		18 1/4"	26 1/4"					19
	HTR2008-ASAE-ORB-P	8"		20 1/4"	28 1/4"		20			
	HTR2010-ORB-P	10"		20 1/4"	30 1/4"		21			
	HTR2012-ORB-P	12"		22 1/4"	34 1/4"		23			
	HTR2014-ORB-P	14"		24 1/4"	38 1/4"		25			
	HTR2016-ORB-P	16"		26 1/4"	42 1/4"		27			
	HTR2018-ORB-P	18"		28 1/4"	46 1/4"		28			
	HTR2020-ORB-P	20"		30 1/4"	50 1/4"		30			
	HTR2024-ORB-P	24"		34 1/4"	58 1/4"		34			
	HTR2030-ORB-P	30"		1 1/4"	40 1/4"		70 1/4"			45
	HTR2036-ORB-P	36"			46 1/4"		82 1/4"			56
	HTR2040-ORB-P	40"			50 1/4"		90 1/4"			
	HTR2048-ORB-P	48"			58 1/4"		106 1/4"			

HTR

2500PSI WP

PART No.	STROKE	ROD DIAMETER	DIMENSIONS		MAX FORCE LBS	G	PORT	PIN	WEIGHT
			RETRACTED	EXTRACTED				D,B	(LBS)
HTR 3" BORE 2500PSI WP	HTR3004-ORB-P	4"	1 1/4"	14 1/4"	18 1/4"	17672	SAE#8 (1/2" NPT Available)	1"	22
	HTR3006-ORB-P	6"		16 1/4"	22 1/4"				24
	HTR3008-ORB-P	8"		18 1/4"	26 1/4"				26
	HTR3008-ASAE-ORB-P	8"		20 1/4"	28 1/4"				27
	HTR3010-ORB-P	10"		20 1/4"	30 1/4"				28
	HTR3012-ORB-P	12"		22 1/4"	34 1/4"				30
	HTR3014-ORB-P	14"		24 1/4"	38 1/4"				33
	HTR3016-ORB-P	16"		26 1/4"	42 1/4"				35
	HTR3016-ASAE-ORB-P	16"		31 1/2"	47 1/2"				38
	HTR3018-ORB-P	18"		28 1/4"	46 1/4"				37
	HTR3020-ORB-P	20"	30 1/4"	50 1/4"	39				
	HTR3024-ORB-P	24"	1 1/2"	34 1/4"	58 1/4"	43			
	HTR3030-ORB-P	30"		40 1/4"	70 1/4"	59			
	HTR3036-ORB-P	36"		46 1/4"	82 1/4"	68			
	HTR3040-ORB-P	40"		50 1/4"	90 1/4"				
HTR3048-ORB-P	48"	58 1/4"		106 1/4"					

HTR 3.5" BORE 2500PSI WP	HTR3504-ORB-P	4"	1 1/4"	14 1/4"	18 1/4"	24053	SAE#8 (1/2" NPT Available)	1"	22	
	HTR3506-ORB-P	6"		16 1/4"	22 1/4"				26	
	HTR3508-ORB-P	8"		18 1/4"	26 1/4"				28	
	HTR3508-ASAE-ORB-P	8"		20 1/4"	28 1/4"				29	
	HTR3510-ORB-P	10"		20 1/4"	30 1/4"				30	
	HTR3512-ORB-P	12"		22 1/4"	34 1/4"				33	
	HTR3514-ORB-P	14"		24 1/4"	38 1/4"				35	
	HTR3516-ORB-P	16"		26 1/4"	42 1/4"				37	
	HTR3516-ASAE-ORB-P	16"		1 1/2"	31 1/2"				47 1/2"	39
	HTR3518-ORB-P	18"		1 1/4"	28 1/4"				46 1/4"	40
	HTR3520-ORB-P	20"	30 1/4"		50 1/4"	42				
	HTR3524-ORB-P	24"	1 1/2"	34 1/4"	58 1/4"	51				
	HTR3530-ORB-P	30"		40 1/4"	70 1/4"	59				
	HTR3536-ORB-P	36"		46 1/4"	82 1/4"	68				
	HTR3540-ORB-P	40"		50 1/4"	90 1/4"					
HTR3548-ORB-P	48"	58 1/4"		106 1/4"						

HTR

2500PSI WP

PART No.	STROKE	ROD DIAMETER	DIMENSIONS		MAX FORCE LBS	G	PORT	PIN	WEIGHT		
			RETRACTED	EXTRACTED				D,B	(LBS)		
HTR4004-ORB-P	4"	1 1/4"	14 1/4"	18 1/4"	31416	3.375"	SAE#8 (1/2" NPT Available)	1"	30		
HTR4006-ORB-P	6"		16 1/4"	22 1/4"					33		
HTR4008-ORB-P	8"		18 1/4"	26 1/4"					35		
HTR4008-ASAE-ORB-P	8"		20 1/4"	28 1/4"		36					
HTR4010-ORB-P	10"		20 1/4"	30 1/4"		37					
HTR4012-ORB-P	12"		22 1/4"	34 1/4"		40					
HTR4014-ORB-P	14"		24 1/4"	38 1/4"		42					
HTR4016-ORB-P	16"		26 1/4"	42 1/4"		48					
HTR4016-ASAE-ORB-P	16"	2"	31 1/2"	47 1/2"		8.625"		1 1/4"	64		
HTR4018-ORB-P	18"	1 1/2"	28 1/4"	46 1/4"		3.375"		SAE#8 (1/2" NPT Available)	1"	51	
HTR4020-ORB-P	20"		30 1/4"	50 1/4"						53	
HTR4024-150-ORB-P	24"		34 1/4"	58 1/4"						59	
HTR4024-175-ORB-P	24"	1 3/4"	34 1/4"	58 1/4"					3.375"	1"	64
HTR4024-200-ORB-P	24"	34 1/4"	58 1/4"	70							
HTR4030-ORB-P	30"	40 1/4"	70 1/4"	87							
HTR4036-ORB-P	36"	2"	46 1/4"	82 1/4"							98
HTR4040-ORB-P	40"	50 1/4"	90 1/4"								
HTR4048-ORB-P	48"	58 1/4"	106 1/4"								

HTR 5" BORE 2500PSI WP	HTR5004-ORB-P	4"	1 1/4"	16 1/4"	20 1/4"	29452	SAE#8 (1/2" NPT Available)	1"	53
	HTR5006-ORB-P	6"		18 1/4"	24 1/4"				55
	HTR5008-ORB-P	8"		20 1/4"	28 1/4"				64
	HTR5008-ASAE-ORB-P	8"		22 1/4"	30 1/4"				66
	HTR5010-ORB-P	10"	22 1/4"	32 1/4"	68				
	HTR5012-ORB-P	12"	2"	24 1/4"	36 1/4"			77	
	HTR5014-ORB-P	14"		26 1/4"	40 1/4"			82	
	HTR5016-ORB-P	16"		28 1/4"	44 1/4"			87	
	HTR5016-ASAE-ORB-P	16"		31 1/2"	47 1/2"			90	
	HTR5018-ORB-P	18"		30 1/4"	48 1/4"			92	
	HTR5020-ORB-P	20"		32 1/4"	52 1/4"			93	
	HTR5024-ORB-P	24"		36 1/4"	60 1/4"			106	
	HTR5030-ORB-P	30"		42 1/4"	72 1/4"			121	
	HTR5036-ORB-P	36"	48 1/4"	84 1/4"	136				
	HTR5040-ORB-P	40"	52 1/4"	90 1/4"	145				
	HTR5048-ORB-P	48"	60 1/4"	106 1/4"	150				

HTH

3000PSI WP

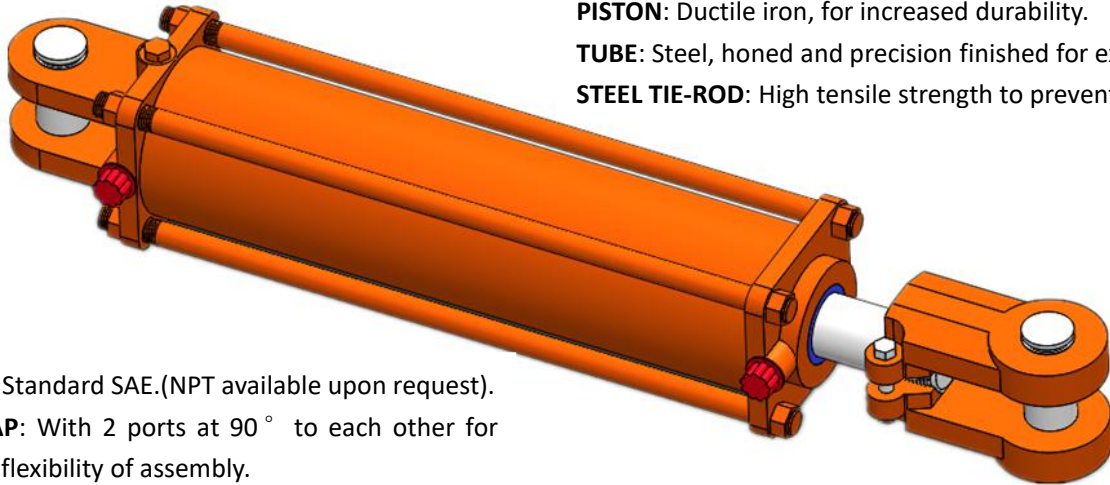
DOUBLE ACTING CYLINDER

ROD: Steel, induction hardened to 45-50 Rockwell C and chrome plated 0.001" thick for a final surface hardness 69-71 Rockwell C. ASTM B117-07a salt spray testing up to 96 hours.

PISTON: Ductile iron, for increased durability.

TUBE: Steel, honed and precision finished for extended seal life.

STEEL TIE-ROD: High tensile strength to prevent stretching.



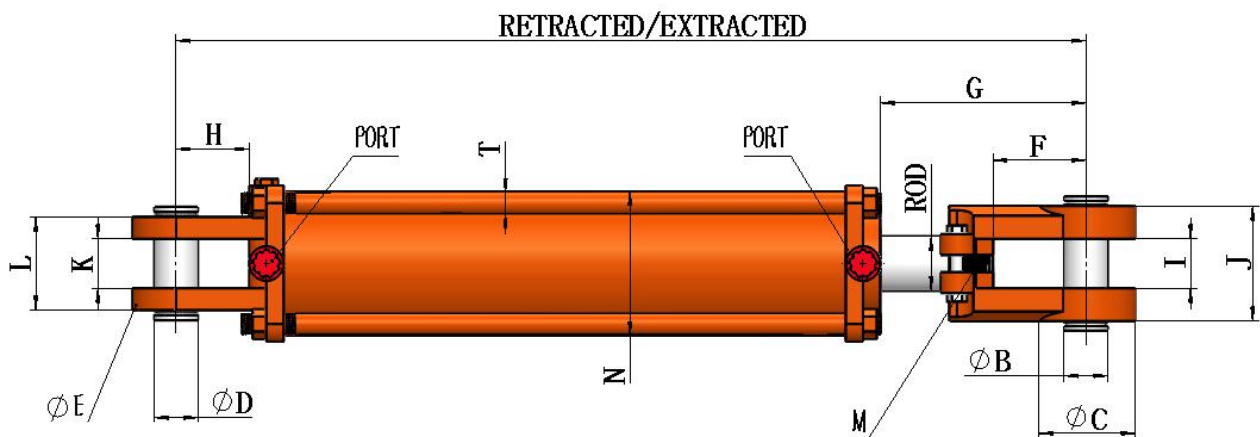
PORTS: Standard SAE.(NPT available upon request).

END CAP: With 2 ports at 90° to each other for greater flexibility of assembly.

ATTACHMENT: Ductile iron, threaded female clevis, adjustable with locking bolt.

PIN: Steel, zinc plated.

PAINT: High quality paint for corrosion resistance up to 360 hours (standard color: black) .



*All dimensions are in inches

HCIC Part No	Bore	C	E	F	H	I,K	J	L	M	N	T
HTH20-	2.00	2.000	2.000	2.125	2.06	1.125	2.500	2.375	1-1/8-12-UNF	2.375	M10
HTH25-	2.50	2.000	2.000	2.125	2.06	1.125	2.500	2.500	1-1/8-12-UNF	2.875	M10
HTH30-	3.00	2.250	2.000	2.125	2.06	1.125	2.625	2.560	1-1/4-12-UNF	3.375	M12
HTH35-	3.50	2.250	2.250	2.125	2.06	1.125	2.625	2.590	1-1/4-12-UNF	3.875	M16
HTH40-	4.00	2.250	2.250	2.125	2.06	1.125	2.625	2.625	1-1/4-12-UNF	4.375	M16
HTH50-	5.00	2.500	3.000	2.125	2.25	1.125	2.875	3.5	1-1/2-12-UNF	5.500	M20

HTH

3000PSI WP

PART No.	STROKE	ROD DIAMETER	DIMENSIONS		MAX FORCE (LBS)	G	PORT	PIN	WEIGHT	
			RETRACTED	EXTRACTED				D,B	(LBS)	
HTH 2" BORE 3000PSI WP	HTH2004-10-ORB	4"	1 1/8"	14 1/4"	18 1/4"	9425	3.375"	SAE#8 (3/8" NPT Available)	1"	17
	HTH2006-10-ORB	6"		16 1/4"	22 1/4"					19
	HTH2008-10-ORB	8"		18 1/4"	26 1/4"					20
	HTH2008-ASAE-10-ORB	8"		20 1/4"	28 1/4"		21			
	HTH2010-10-ORB	10"		20 1/4"	30 1/4"		22			
	HTH2012-10-ORB	12"		22 1/4"	34 1/4"		23			
	HTH2014-10-ORB	14"		24 1/4"	38 1/4"		25			
	HTH2016-10-ORB	16"		26 1/4"	42 1/4"		26			
	HTH2018-10-ORB	18"		28 1/4"	46 1/4"		28			
	HTH2020-10-ORB	20"		30 1/4"	50 1/4"		29			
	HTH2024-10-ORB	24"		34 1/4"	58 1/4"		32			
	HTH2030-10-ORB	30"		40 1/4"	70 1/4"		36			
	HTH2036-10-ORB	36"		46 1/4"	82 1/4"		41			
	HTH2040-10-ORB	40"		50 1/4"	90 1/4"		45			
	HTH2048-10-ORB	48"		58 1/4"	106 1/4"		51			

HTH 2.5" BORE 3000PSI WP	HTH2504-10-ORB	4"	1 1/4"	14 1/4"	18 1/4"	14726	3.375"	SAE#8 (1/2" NPT Available)	1"	18
	HTH2506-10-ORB	6"		16 1/4"	22 1/4"					21
	HTH2508-10-ORB	8"		18 1/4"	26 1/4"					23
	HTH2508-ASAE-10-ORB	8"		20 1/4"	28 1/4"		24			
	HTH2510-10-ORB	10"		20 1/4"	30 1/4"		25			
	HTH2512-10-ORB	12"		22 1/4"	34 1/4"		26			
	HTH2514-10-ORB	14"		24 1/4"	38 1/4"		28			
	HTH2516-10-ORB	16"		26 1/4"	42 1/4"		30			
	HTH2518-10-ORB	18"		28 1/4"	46 1/4"		33			
	HTH2520-10-ORB	20"		30 1/4"	50 1/4"		34			
	HTH2524-10-ORB	24"		34 1/4"	58 1/4"		40			
	HTH2530-10-ORB	30"		40 1/4"	70 1/4"		43			
	HTH2536-10-ORB	36"		46 1/4"	82 1/4"		49			
	HTH2540-10-ORB	40"		50 1/4"	90 1/4"		54			
	HTH2548-10-ORB	48"		58 1/4"	106 1/4"		60			

HTH

3000PSI WP

PART No.	STROKE	ROD DIAMETER	DIMENSIONS		MAX FORCE LBS	G	PORT	PIN	WEIGHT
			RETRACTED	EXTRACTED				D,B	(LBS)
HTH 3" BORE 3000PSI WP	HTH3004-10-ORB	4"	1 1/4"	14 1/4"	18 1/4"	21205	3.375"	1"	23
	HTH3006-10-ORB	6"		16 1/4"	22 1/4"				26
	HTH3008-10-ORB	8"		18 1/4"	26 1/4"				28
	HTH3008-ASAE-10-ORB	8"		20 1/4"	28 1/4"				29
	HTH3010-10-ORB	10"		20 1/4"	30 1/4"				30
	HTH3012-10-ORB	12"		22 1/4"	34 1/4"				33
	HTH3014-10-ORB	14"	24 1/4"	38 1/4"	35				
	HTH3016-10-ORB	16"	1 1/2"	26 1/4"	42 1/4"		38		
	HTH3016-ASAE-10-ORB	16"		31 1/2"	47 1/2"		40		
	HTH3018-10-ORB	18"		28 1/4"	46 1/4"		40		
	HTH3020-10-ORB	20"		30 1/4"	50 1/4"		42		
	HTH3024-10-ORB	24"		34 1/4"	58 1/4"		47		
	HTH3030-10-ORB	30"		40 1/4"	70 1/4"		54		
	HTH3036-10-ORB	36"		46 1/4"	82 1/4"		61		
	HTH3040-10-ORB	40"		50 1/4"	90 1/4"		66		
HTH3048-10-ORB	48"	58 1/4"		106 1/4"	75				

HTH 3.5" BORE 3000PSI WP	HTH3504-10-ORB	4"	1 1/4"	14 1/4"	18 1/4"	28863	3.50"	1"	27
	HTH3506-10-ORB	6"		16 1/4"	22 1/4"				30
	HTH3508-10-ORB	8"		18 1/4"	26 1/4"				33
	HTH3508-ASAE-10-ORB	8"		20 1/4"	28 1/4"		34		
	HTH3510-10-ORB	10"		20 1/4"	30 1/4"		36		
	HTH3512-10-ORB	12"		22 1/4"	34 1/4"		38		
	HTH3514-10-ORB	14"	24 1/4"	38 1/4"	41				
	HTH3516-10-ORB	16"	1 1/2"	26 1/4"	42 1/4"		44		
	HTH3516-ASAE-10-ORB	16"		31 1/2"	47 1/2"		46		
	HTH3518-10-ORB	18"		28 1/4"	46 1/4"		47		
	HTH3520-10-ORB	20"		30 1/4"	50 1/4"		49		
	HTH3524-10-ORB	24"		34 1/4"	58 1/4"		55		
	HTH3530-10-ORB	30"		40 1/4"	70 1/4"		63		
	HTH3536-10-ORB	36"		46 1/4"	82 1/4"		72		
	HTH3540-10-ORB	40"		50 1/4"	90 1/4"		77		
HTH3548-10-ORB	48"	58 1/4"		106 1/4"	88				

HTH

3000PSI WP

PART No.	STROKE	ROD DIAMETER	DIMENSIONS		MAX FORCE LBS	G	PORT	PIN	WEIGHT
			RETRACTED	EXTRACTED				D,B	(LBS)
HTH 4" BORE 3000PSI WP	HTH4004-10-ORB	4"	1 1/2"	14 1/4"	18 1/4"	37700	3.375"	1"	34
	HTH4006-10-ORB	6"		16 1/4"	22 1/4"				38
	HTH4008-10-ORB	8"		18 1/4"	26 1/4"				42
	HTH4008-ASAE-10-ORB	8"		20 1/4"	28 1/4"		43		
	HTH4010-10-ORB	10"		20 1/4"	30 1/4"		45		
	HTH4012-10-ORB	12"		22 1/4"	34 1/4"		48		
	HTH4014-10-ORB	14"		24 1/4"	38 1/4"		52		
	HTH4016-10-ORB	16"	1 3/4"	26 1/4"	42 1/4"		55		
	HTH4016-ASAE-10-ORB	16"	2"	31 1/2"	47 1/2"		59		
	HTH4018-10-ORB	18"	1 3/4"	28 1/4"	46 1/4"		59		
	HTH4020-10-ORB	20"		30 1/4"	50 1/4"		62		
	HTH4024-10-ORB	24"		34 1/4"	58 1/4"		69		
	HTH4030-10-ORB	30"	2"	40 1/4"	70 1/4"		79		
	HTH4036-10-ORB	36"		46 1/4"	82 1/4"		90		
	HTH4040-10-ORB	40"		50 1/4"	90 1/4"		97		
HTH4048-10-ORB	48"	58 1/4"		106 1/4"	110				

HTH 5" BORE 3000PSI WP	HTH5004-10-ORB	4"	2"	16 1/4"	20 1/4"	58905	3.75"	1 1/4"	53
	HTH5006-10-ORB	6"		18 1/4"	24 1/4"				55
	HTH5008-10-ORB	8"		20 1/4"	28 1/4"				64
	HTH5008-ASAE-10-ORB	8"		22 1/4"	30 1/4"		66		
	HTH5010-10-ORB	10"		22 1/4"	32 1/4"		68		
	HTH5012-10-ORB	12"		24 1/4"	36 1/4"		77		
	HTH5014-10-ORB	14"		26 1/4"	40 1/4"		82		
	HTH5016-10-ORB	16"		28 1/4"	44 1/4"		87		
	HTH5016-ASAE-10-ORB	16"		31 1/2"	47 1/2"		90		
	HTH5018-10-ORB	18"		30 1/4"	48 1/4"		92		
	HTH5020-10-ORB	20"		32 1/4"	52 1/4"		93		
	HTH5024-10-ORB	24"		36 1/4"	60 1/4"		106		
	HTH5030-10-ORB	30"		42 1/4"	72 1/4"		121		
	HTH5036-10-ORB	36"		48 1/4"	84 1/4"				
	HTH5040-10-ORB	40"		52 1/4"	92 1/4"				
HTH5048-10-ORB	48"	60 1/4"	108 1/4"	136					

HTG

3000PSI WP

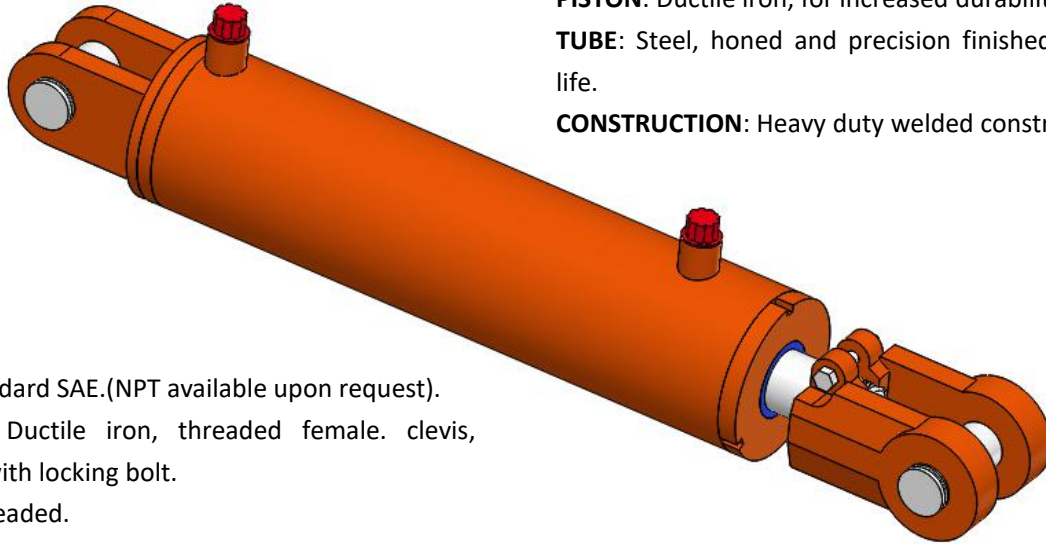
DOUBLE ACTING CYLINDER

ROD: Steel, induction hardened to 45-50 Rockwell C and chrome plated 0.001" thick for a final surface hardness 69-71 Rockwell C. ASTM B117-07 a salt spray testing up to 96 hours.

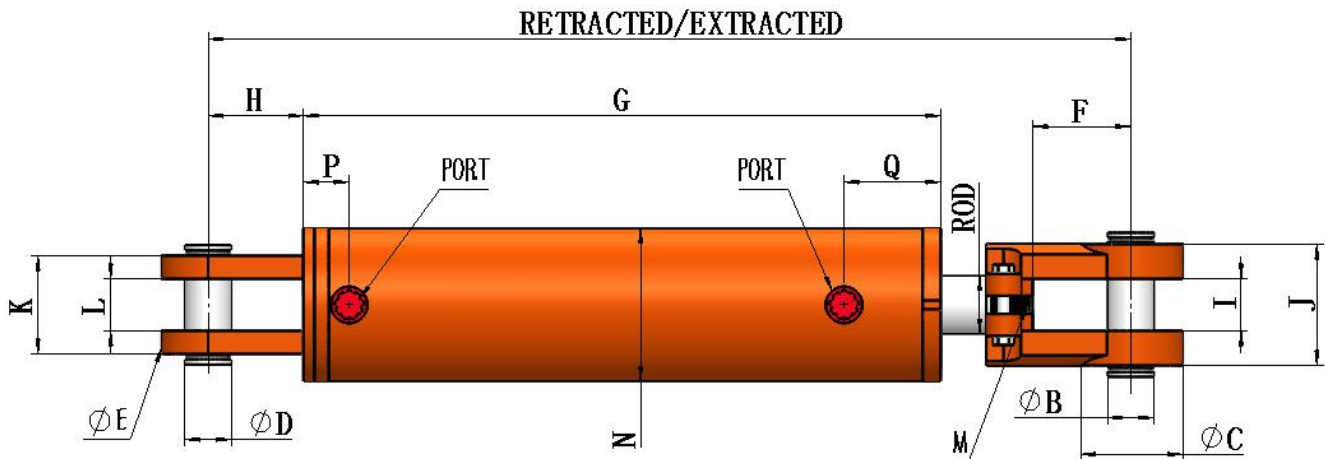
PISTON: Ductile iron, for increased durability.

TUBE: Steel, honed and precision finished for extended seal life.

CONSTRUCTION: Heavy duty welded construction.



PORTS: Standard SAE.(NPT available upon request).
ROD END: Ductile iron, threaded female. clevis, adjustable with locking bolt.
GLAND: Threaded.



*All dimensions are in inches

HCIC Part No	Bore	ROD	C	E	B,D	F	H	I	K	J	L	M	N	P	Q
HTG20-	2.00	1.125	2.00 [2.25]	2.087 [2.0]	1.000	2.125 [1.937]	1.750	1.125 [1.063]	1.125	2.500	2.125	1-1/8-12UNF	2.375	1.275	2.311
HTG25-	2.50	1.250	2.00 [2.25]	2.000	1.000	2.125 [1.937]	1.750	1.125 [1.063]	1.125	2.500	2.500	1-1/8-12UNF	2.875	1.300	2.326
HTG30-	3.00	1.375	2.250	2.250	1.000	2.125	1.750	1.125 [1.063]	1.125	2.625	2.500	1-1/4-12UNF	3.375	1.300	2.145
HTG35-	3.50	1.500	2.500	2.500	1.000	2.125 [1.875]	1.750	1.125 [1.063]	1.125	2.625	2.750	1-1/4-12UNF	3.875	1.338	2.133
HTG40-	4.00	1.750	2.500	2.500	1.000	2.125 [1.875]	1.750	1.125 [1.063]	1.125	2.625	2.750	1-1/2-12UNF	4.375	1.425	2.138

HTG

3000PSI WP

PART No.	STROKE	ROD DIAMETER	DIMENSIONS		G	MAX FORCE (LBS)	PORT	PIN	WEIGHT (LBS)	
			RETRACTED	EXTRACTED						
HTG 2" BORE 3000PSI WP	HTG2004-ORB	4"	1 1/8"	14 1/4"	18 1/4"	8.92"	9425	SAE #6 (1/2" NPT Available)	1"	16
	HTG2006-ORB	6"		16 1/4"	22 1/4"	10.92"				17
	HTG2008-ORB	8"		18 1/4"	26 1/4"	12.92"				18
	HTG2008-ASAE-ORB	8"		20 1/4"	28 1/4"	12.92"				19
	HTG2010-ORB	10"		20 1/4"	30 1/4"	14.92"				20
	HTG2012-ORB	12"		22 1/4"	34 1/4"	16.92"				22
	HTG2014-ORB	14"		24 1/4"	38 1/4"	18.92"				23
	HTG2016-ORB	16"		26 1/4"	42 1/4"	20.92"				25
	HTG2018-ORB	18"		28 1/4"	46 1/4"	22.92"				26
	HTG2020-ORB	20"		30 1/4"	50 1/4"	24.92"				28
	HTG2024-ORB	24"		34 1/4"	58 1/4"	28.92"				31
	HTG2028-ORB	28"		38 1/4"	66 1/4"	32.92"				37
	HTG2030-ORB	30"		40 1/4"	70 1/4"	34.92"				39
	HTG2032-ORB	32"		42 1/4"	74 1/4"	36.92"				41
	HTG2034-ORB	34"		44 1/4"	78 1/4"	38.92"				43
HTG2036-ORB	36"	46 1/4"	82 1/4"	40.92"	45					

HTG 2.5" BORE 3000PSI WP	HTG2504-ORB	4"	1 1/4"	14 1/4"	18 1/4"	9"	14726	SAE #8 (1/2" NPT Available)	1"	17
	HTG2506-ORB	6"		16 1/4"	22 1/4"	11"				18
	HTG2508-ORB	8"		18 1/4"	26 1/4"	13"				20
	HTG2508-ASAE-ORB	8"		20 1/4"	28 1/4"	13"				21
	HTG2510-ORB	10"		20 1/4"	30 1/4"	15"				22
	HTG2512-ORB	12"		22 1/4"	34 1/4"	17"				23
	HTG2514-ORB	14"		24 1/4"	38 1/4"	19"				25
	HTG2516-ORB	16"		26 1/4"	42 1/4"	21"				27
	HTG2518-ORB	18"		28 1/4"	46 1/4"	23"				29
	HTG2520-ORB	20"		30 1/4"	50 1/4"	25"				31
	HTG2524-ORB	24"		34 1/4"	58 1/4"	29"				35
	HTG2528-ORB	28"		38 1/4"	66 1/4"	33"				37
	HTG2530-ORB	30"		40 1/4"	70 1/4"	35"				41
	HTG2532-ORB	32"		42 1/4"	74 1/4"	37"				43
	HTG2534-ORB	34"		44 1/4"	78 1/4"	39"				45
HTG2536-ORB	36"	46 1/4"	82 1/4"	41"	47					

HTG

3000PSI WP

PART No.	STROKE	ROD DIAMETER	DIMENSIONS		G	MAX FORCE (LBS)	PORT	PIN	WEIGHT (LBS)	
			RETRACTED	EXTRACTED						
HTG 3" BORE 3000PSI WP	HTG3004-ORB	4"	1 3/8"	14 1/4"	18 1/4"	8.895"	21205	SAE #8 (1/2" NPT Available)	1"	18
	HTG3006-ORB	6"		16 1/4"	22 1/4"	10.895"				20
	HTG3008-ORB	8"		18 1/4"	26 1/4"	12.895"				22
	HTG3008-ASAE-ORB	8"		20 1/4"	28 1/4"	12.895"				23
	HTG3010-ORB	10"		20 1/4"	30 1/4"	14.895"				26
	HTG3012-ORB	12"		22 1/4"	34 1/4"	16.895"				28
	HTG3014-ORB	14"		24 1/4"	38 1/4"	18.895"				31
	HTG3016-ORB	16"		26 1/4"	42 1/4"	20.895"				33
	HTG3018-ORB	18"		28 1/4"	46 1/4"	22.895"				35
	HTG3020-ORB	20"		30 1/4"	50 1/4"	24.895"				39
	HTG3024-ORB	24"		34 1/4"	58 1/4"	28.895"				43
	HTG3028-ORB	28"		38 1/4"	66 1/4"	32.895"				46
	HTG3030-ORB	30"		40 1/4"	70 1/4"	34.895"				49
	HTG3032-ORB	32"		42 1/4"	74 1/4"	36.895"				50
	HTG3034-ORB	34"		44 1/4"	78 1/4"	38.895"				53
HTG3036-ORB	36"	46 1/4"	82 1/4"	40.895"	54					

HTG 3.5" BORE 3000PSI WP	HTG3504-ORB	4"	1 1/2"	14 1/4"	18 1/4"	8.92"	28863	SAE #8 (1/2" NPT Available)	1"	25
	HTG3506-ORB	6"		16 1/4"	22 1/4"	10.92"				27
	HTG3508-ORB	8"		18 1/4"	26 1/4"	12.92"				28
	HTG3508-ASAE-ORB	8"		20 1/4"	28 1/4"	12.92"				29
	HTG3510-ORB	10"		20 1/4"	30 1/4"	14.92"				31
	HTG3512-ORB	12"		22 1/4"	34 1/4"	16.92"				33
	HTG3514-ORB	14"		24 1/4"	38 1/4"	18.92"				35
	HTG3516-ORB	16"		26 1/4"	42 1/4"	20.92"				36
	HTG3518-ORB	18"		28 1/4"	46 1/4"	22.92"				38
	HTG3520-ORB	20"		30 1/4"	50 1/4"	24.92"				43
	HTG3524-ORB	24"		34 1/4"	58 1/4"	28.92"				48
	HTG3528-ORB	28"		38 1/4"	66 1/4"	32.92"				52
	HTG3530-ORB	30"		40 1/4"	70 1/4"	34.92"				54
	HTG3532-ORB	32"		42 1/4"	74 1/4"	36.92"				56
	HTG3534-ORB	34"		44 1/4"	78 1/4"	38.92"				58
HTG3536-ORB	36"	46 1/4"	82 1/4"	40.92"	60					

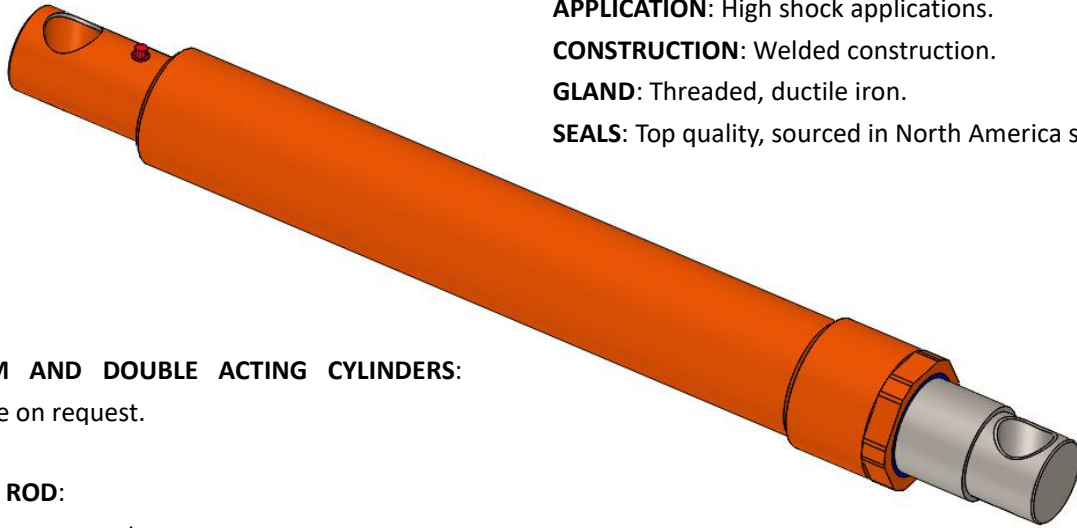
HTG

3000PSI WP

PART No.	STROKE	ROD DIAMETER	DIMENSIONS		G	MAX FORCE (LBS)	PORT	PIN	WEIGHT
			RETRACTED	EXTRACTED				D,B	(LBS)
HTG4004-ORB	4"	1 3/4"	14 1/4"	18 1/4"	8.95"	37700	SAE #8 (1/2" NPT Available)	1"	35
HTG4006-ORB	6"		16 1/4"	22 1/4"	10.95"				37
HTG4008-ORB	8"		18 1/4"	26 1/4"	12.95"				38
HTG4008-ASAE-ORB	8"		20 1/4"	28 1/4"	12.95"				40
HTG4010-ORB	10"		20 1/4"	30 1/4"	14.95"				43
HTG4012-ORB	12"		22 1/4"	34 1/4"	16.95"				45
HTG4014-ORB	14"		24 1/4"	38 1/4"	18.95"				48
HTG4016-ORB	16"		26 1/4"	42 1/4"	20.95"				54
HTG4018-ORB	18"		28 1/4"	46 1/4"	22.95"				56
HTG4020-ORB	20"		30 1/4"	50 1/4"	24.95"				58
HTG4024-ORB	24"		34 1/4"	58 1/4"	28.95"				60
HTG4028-ORB	28"		38 1/4"	66 1/4"	32.95"				63
HTG4030-ORB	30"		40 1/4"	70 1/4"	34.95"				65
HTG4032-ORB	32"		42 1/4"	74 1/4"	36.95"				68
HTG4034-ORB	34"		44 1/4"	78 1/4"	38.95"				72
HTG4036-ORB	36"		46 1/4"	82 1/4"	40.95"				74

HSP

2500PSI WP



SINGLE ACTING CYLINDER

APPLICATION: High shock applications.

CONSTRUCTION: Welded construction.

GLAND: Threaded, ductile iron.

SEALS: Top quality, sourced in North America seals.

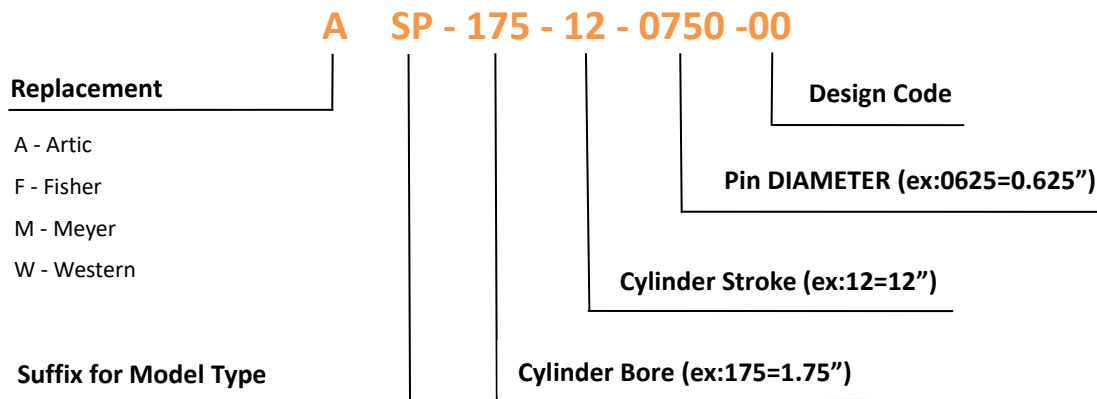
CUSTOM AND DOUBLE ACTING CYLINDERS:

Available on request.

NITRIDE ROD:

Available on request.

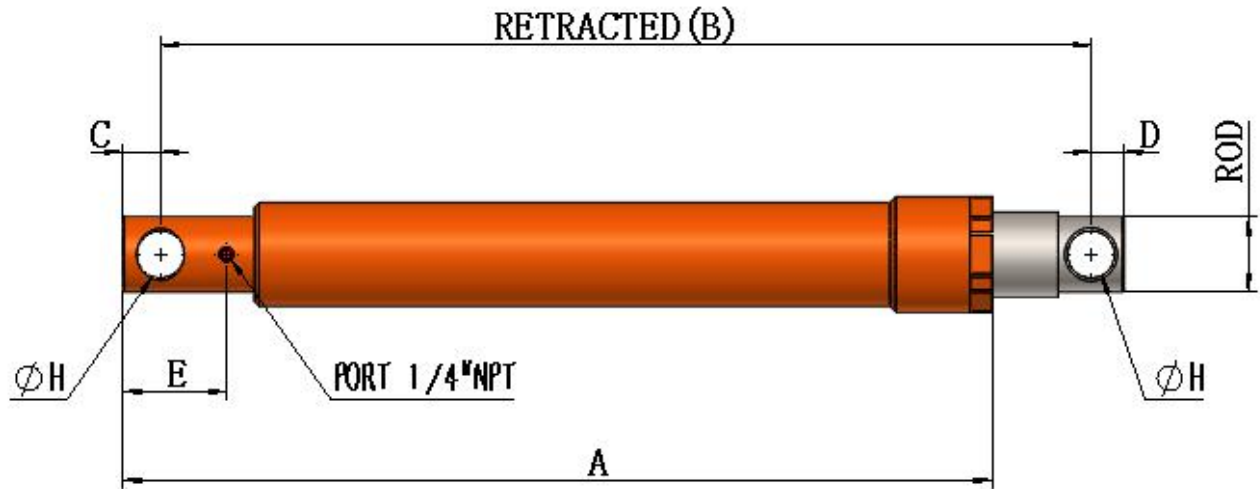
ORDER INFORMATION



*All pictures may differ from the final products. Product specifications are subject to changes without notice.

HSP

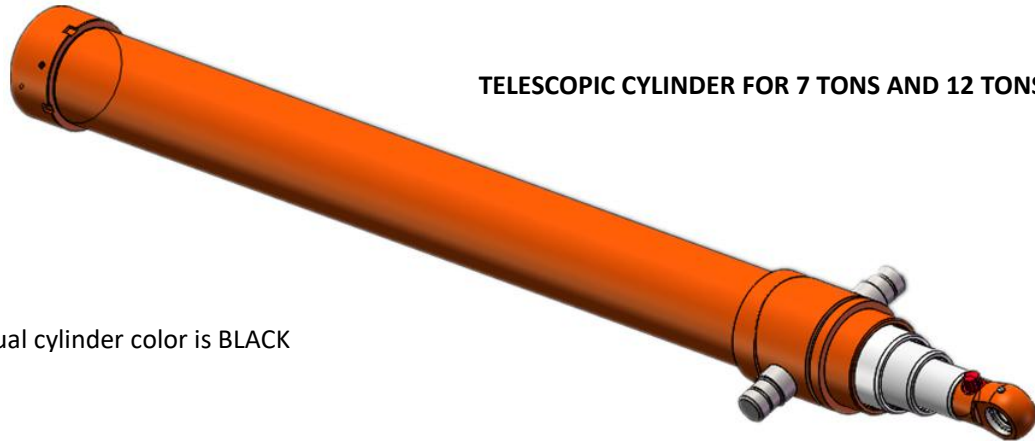
2500PSI WP



PART No.	BORE	STROKE	PIN DIA(H)	ROD	A	B	C(D)	E	MAX RATED PSI
A-SP-150-10-0750	1 3/4"	10"	3/4"	1 1/2"	16 5/8"	17"	3/4"	2 3/4"	6013
A-SP-150-12-0750	1 3/4"	12"	3/4"	1 1/2"	16 5/8"	19"	3/4"	2 3/4"	6013
F-SP-150-10-1000	1 3/4"	10"	1"	1 1/2"	16 3/8"	17 1/4"	3/4"	2 5/8"	6013
F-SP-150-12-1000	1 3/4"	12"	1"	1 1/2"	18 7/16"	19 1/4"	3/4"	2 5/8"	6013
F-SP-200-12-1250	2 1/4"	16"	1 1/4"	2"	22 1/2"	23 1/4"	7/8"	2 3/4"	9940
M-SP-150-06-0625	1 3/4"	6"	5/8"	1 1/8"	11 7/8"	12 3/8"	3/4"	2 1/8"	6013
M-SP-150-10-0625	1 3/4"	10"	5/8"	1 1/2"	15 7/8"	16 3/16"	3/4"	2 1/8"	6013
M-SP-150-12-0625	1 3/4"	12"	5/8"	1 1/2"	17 7/8"	18"	3/4"	2 1/8"	6013
M-SP-200-12-0625	2 1/4"	12"	5/8"	1 5/8"	17 1/4"	18"	3/4"	2 1/8"	9940
W-SP-150-06-0750	1 3/4"	6"	3/4"	1 1/2"	12 5/8"	13"	11/16"	2 3/4"	6013
W-SP-150-08-0750	1 3/4"	8"	3/4"	1 1/2"	14 5/8"	15 1/4"	11/16"	2 3/4"	6013
W-SP-150-10-0750	1 3/4"	10"	3/4"	1 1/2"	16 5/8"	17 1/4"	11/16"	2 3/4"	6013
W-SP-150-10-1000	1 3/4"	10"	1"	1 1/2"	16 5/8"	17"	11/16"	2 3/4"	6013
W-SP-200-06-0750	2 1/4"	6"	3/4"	2"	12 5/8"	13 3/16"	3/4"	2 3/4"	9940
W-SP-200-10-1000	2 1/4"	10"	1"	2"	16 5/8"	17 1/4"	11/16"	2 3/4"	9940
W-SP-200-16-1000	2 1/4"	16"	1"	2"	22 5/8"	23 5/16"	3/4"	2 9/16"	9940

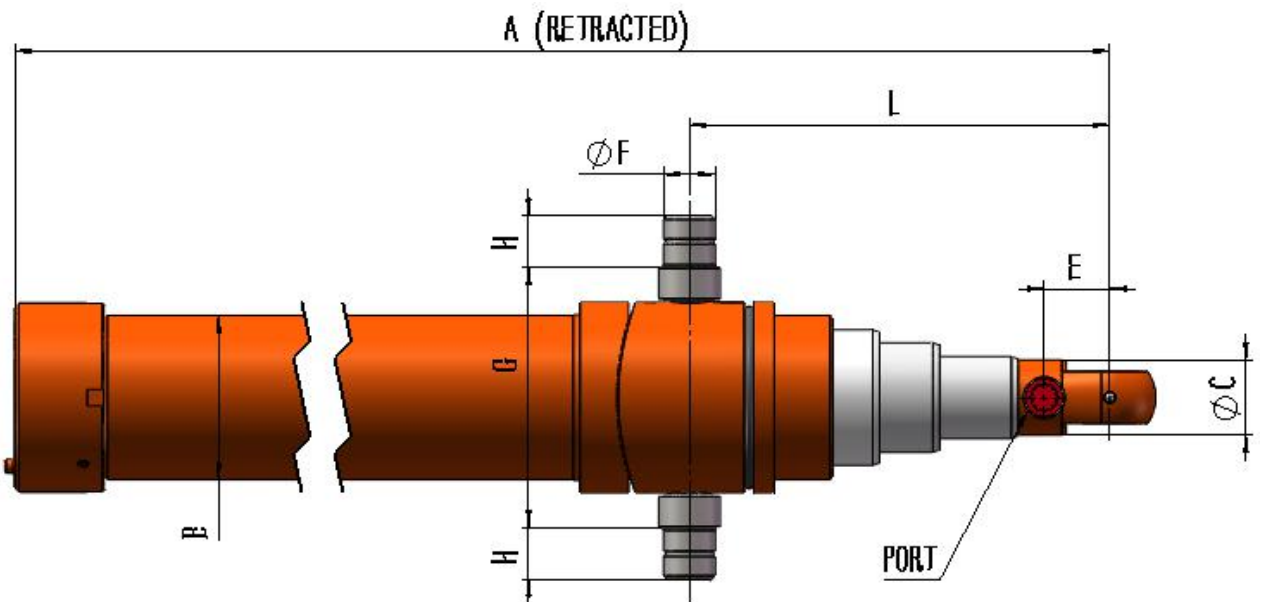
HTC

3000PSI WP



TELESCOPIC CYLINDER FOR 7 TONS AND 12 TONS INVERSE

*Actual cylinder color is BLACK



7 TONS INVERSE

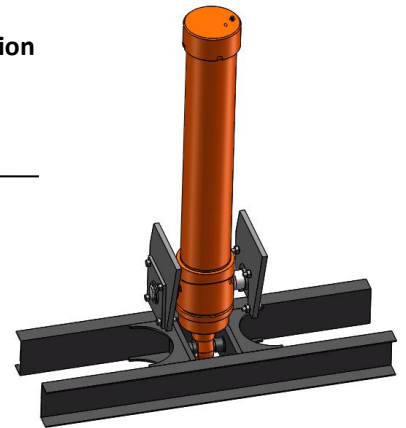
PART No.	STROKE	A	B	C	D	E	F	G	H	L	PORT	WEIGHT [Lbs]	VOLUME [Gal.]
HTC-07833-ORB	78"	35.5"	3.75"	2"	1.063"	3.0"	1.25"	6.5"	1.25"	7"	SAE #8 (3/4-16 UNF)	68	1.6
HTC-09033-ORB	90"	39.5"	3.75"	2"	1.063"	3.0"	1.25"	6.5"	1.25"	7"		75	1.8
HTC-10833-ORB	108"	45"	3.75"	2"	1.063"	3.0"	1.25"	6.5"	1.25"	7"		101	2.2
12 TONS INVERSE													
HTC-07843-ORB	78"	34.75"	4.4"	2"	1.063"	3.0"	1.5"	7.5"	1.5"	7"	SAE #8 (3/4-16 UNF)	106	2.5
HTC-09043-ORB	90"	38.75"	4.4"	2"	1.063"	3.0"	1.5"	7.5"	1.5"	7"		107	2.8
HTC-10843-ORB	108"	44.75"	4.4"	2"	1.063"	3.0"	1.5"	7.5"	1.5"	7"		132	3.4
HTC-12043-ORB	120"	48.75"	4.4"	2"	1.063"	3.0"	1.5"	7.5"	1.5"	7"		143	3.8
HTC-14443-ORB	144"	56.78"	4.4"	2"	1.063"	2.25"	1.5"	7.5"	1.5"	7"		166	4.6

HTC

3000PSI WP

HTC - 078 - 33 - ORB - 00

MODEL	Design Code
STROKE	Factory Specification
CAPACITY	PORT
33 - for 7 tons	Omit - 1/2 NPT
43 - for 12 tons	ORB - SAE#8-3/4-16UNF

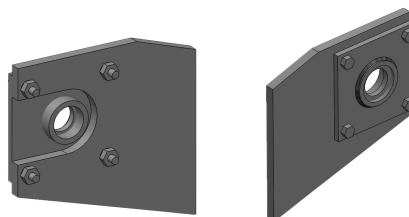
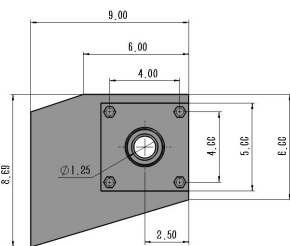


ACCESSORIES FOR TELESCOPIC CYLINDERS

MOUNTING BRACKETS

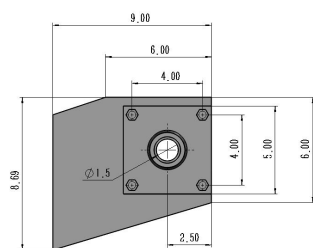
HTCS07-A

For 7 tons



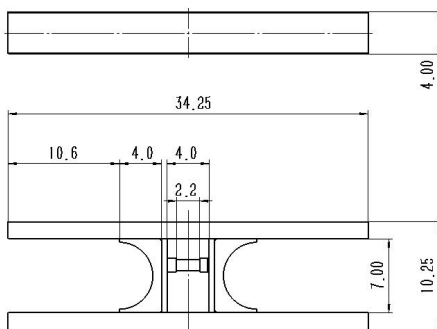
HTCS12-A

For 12 tons

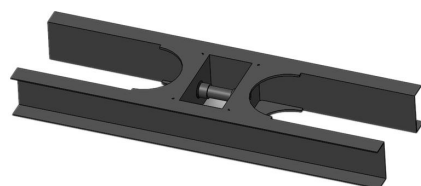


SUPPORT FRAM

For 7 and 12 tons

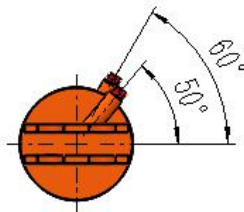
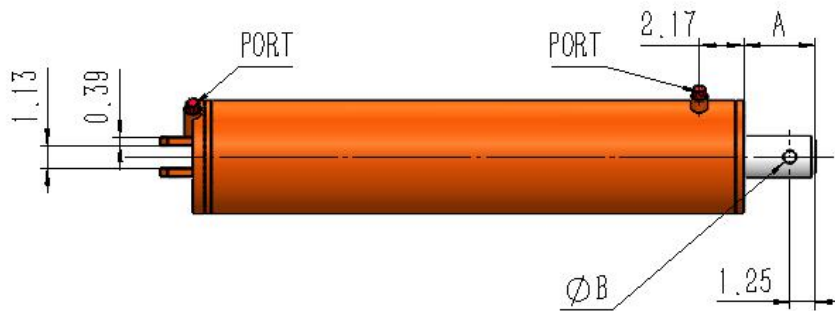
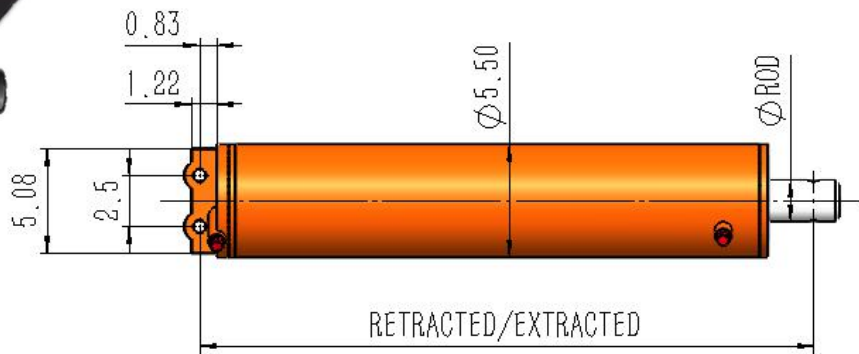
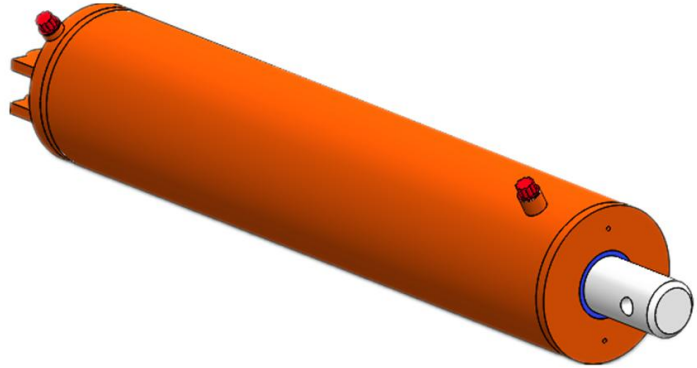


HTC SB07-A



HHT

3000PSI WP



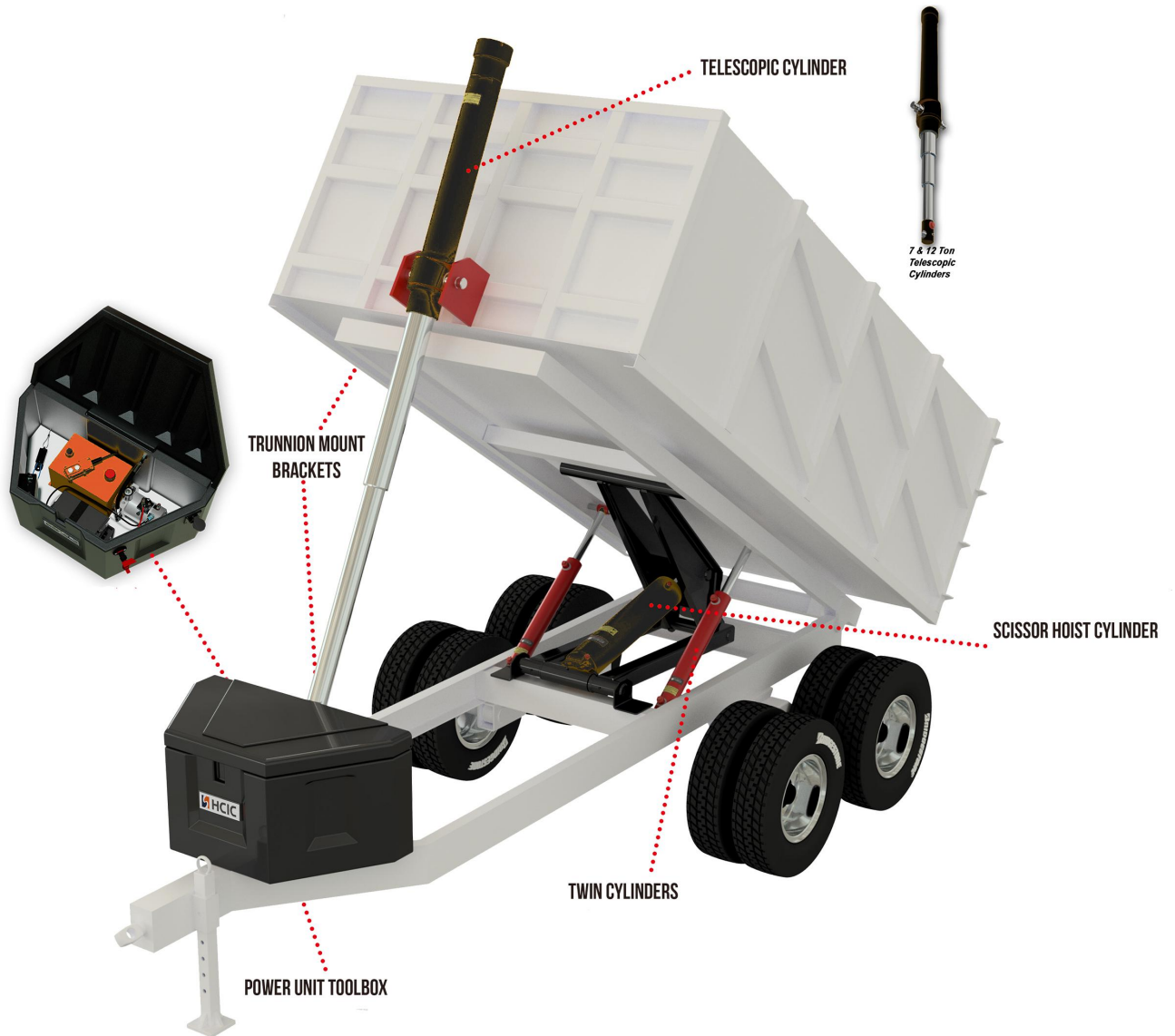
*Actual cylinder color is BLACK

MADE FOR SCISSOR HOISTS.

*All dimensions are in inches

PART No.	BORE	A	B	STROKE	ROD	RETRACTED	EXTRACTED	MAX FORCE LBS	PORT	WEIGHT [Lbs]
HHT501575	5.00	3.5	$\Phi 0.69$	15.75	$\Phi 2$	23.5	39.25	58905	SAE #6	66.1
HHT502000	5.00	3.15	$\Phi 0.63$	20	$\Phi 2$	27.5	47.5	58905		81.4
HHT502150	5.00	3.5	$\Phi 0.63$	21.50	$\Phi 2$	29.375	50.875	58905		96.8
HHT601575	6.00	3.5	$\Phi 0.69$	15.75	$\Phi 2$	23.5	39.25	84823		88.0
HHT602150	5.00	3.5	$\Phi 0.63$	21.50	$\Phi 2$	29.375	50.875	84823		101.2

DUMP TRAILER SOLUTIONS



HYDRAULIC CYLINDERS

- SINGLE ACTING
- DOUBLE ACTING
- TELESCOPIC
- TIE-ROD
- SCISSOR HOIST APPLICATIONS

HYDRAULIC POWER UNITS

- SINGLE ACTING
- DOUBLE ACTING
- CUSTOMIZED
- METAL OR PLASTIC TANK

FEATURES:

- Highest Quality Components
- Customized to the Application
- Competitive Warranty
- Reliable Performance
- Technical Support
- Integrated Solutions

DUMP TRAILER SOLUTIONS



AMERICAN CHECKERPLATE ALUMINIUM TOOLBOX
36" W x 17.75" D x 16.375" H
810200

BULKHEAD FITTING
310160
BULKHEAD NUT
307140

POWER UNIT
Tank: From 1.7 Liters to 23.5 liters - Plastic or Steel
Pump: 0.8, 1.0, 1.3, 1.6, 2.1, 2.5, 3.2, 4.2, 5.8 & 8.0 cc available
Mounting: Horizontal

POWER UNIT REMOTE CONTROL
Including 20' of 16/3 Cables

HYDRAULIC HOSE 3/8"
320XXX

BATTERY CHARGER
640120

BATTERY CABLE RED, 18" LONG
610240
BATTERY CABLE BLACK, 24" LONG
610260
BATTERY CABLE RED, 24" LONG
610270

MASTER SWITCH
640010

BREAK AWAY KIT
640070
STAINLESS STEEL BOLT 5/16-18 X 3"
300080
STAINLESS STEEL HEX. NUT 5/16"
307120

BATTERY TRAY 7" X 10.5"
810800



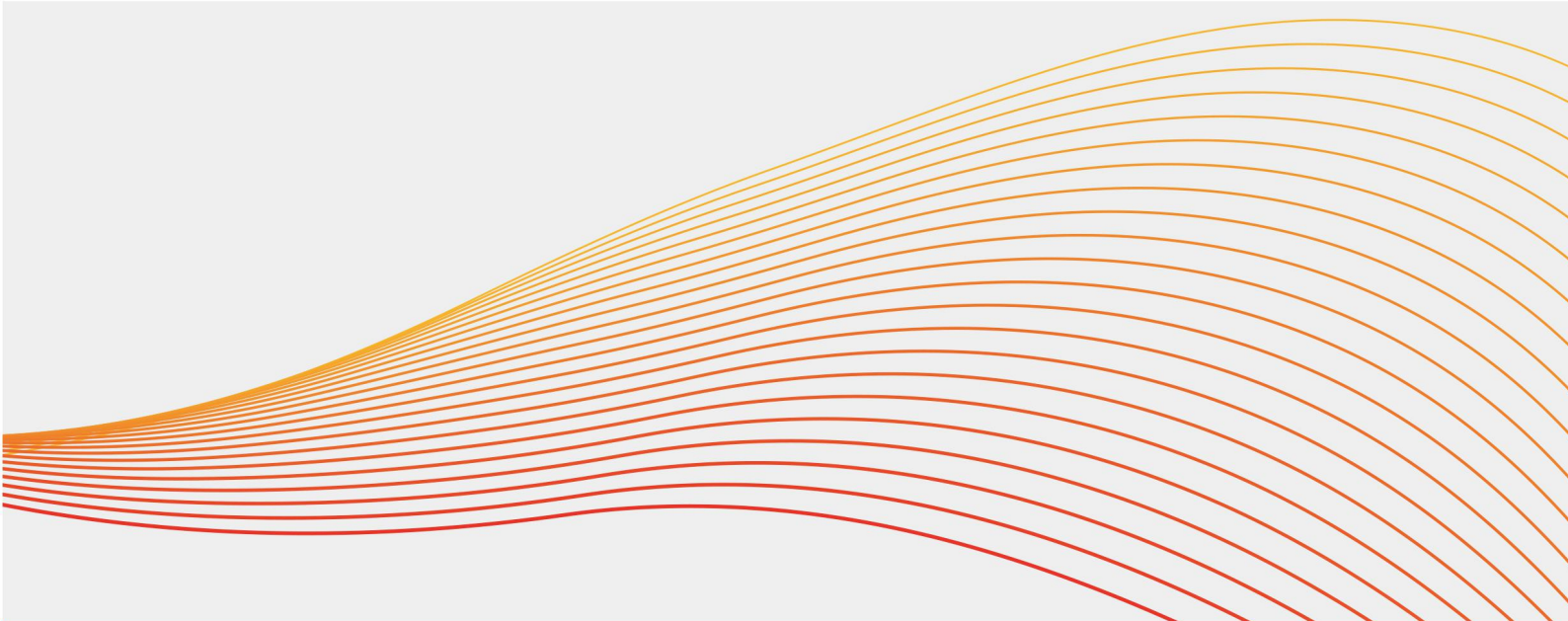
Telescopic Hydraulic Cylinders
7 Ton: 76in 96in 108in Stroke
12 Ton: 76in 96in 108in 120in Stroke



Hydraulic Trailer & Truck Hoist
Cylinder specifications: 5.5" bore; 16" stroke; 2" diameter rod
Mounting height: 9.6 inches
Capacity range: 7.7 - 17 tons



Hydraulic Power Unit
Motor: DC 12 & 24v,
Tank: From 1.7 liters to 23.5 liters. Plastic or Steel
Pump: 0.8, 1.0, 1.3, 1.6, 2.1, 2.5, 3.2, 4.2, 5.8 and 8.0cc
Mounting: Vertical or Horizontal
Control: 20' CABLE MANUAL REMOTE



ADD:RM603 Xinsheng BD2 No.1299,Xinluo RD,Gaoxin Zone,JINAN,SHANDONG,CHINA

TEL:+0086-53187109766 +0086-53187101088 +0086-53187108088 +0086-15376198599

EMAIL:hxl@huachen.cc

Wechat: +8615966059063

Whatsapp: +008615966059063

Facebook:@HCIC

www.jnhcic.com